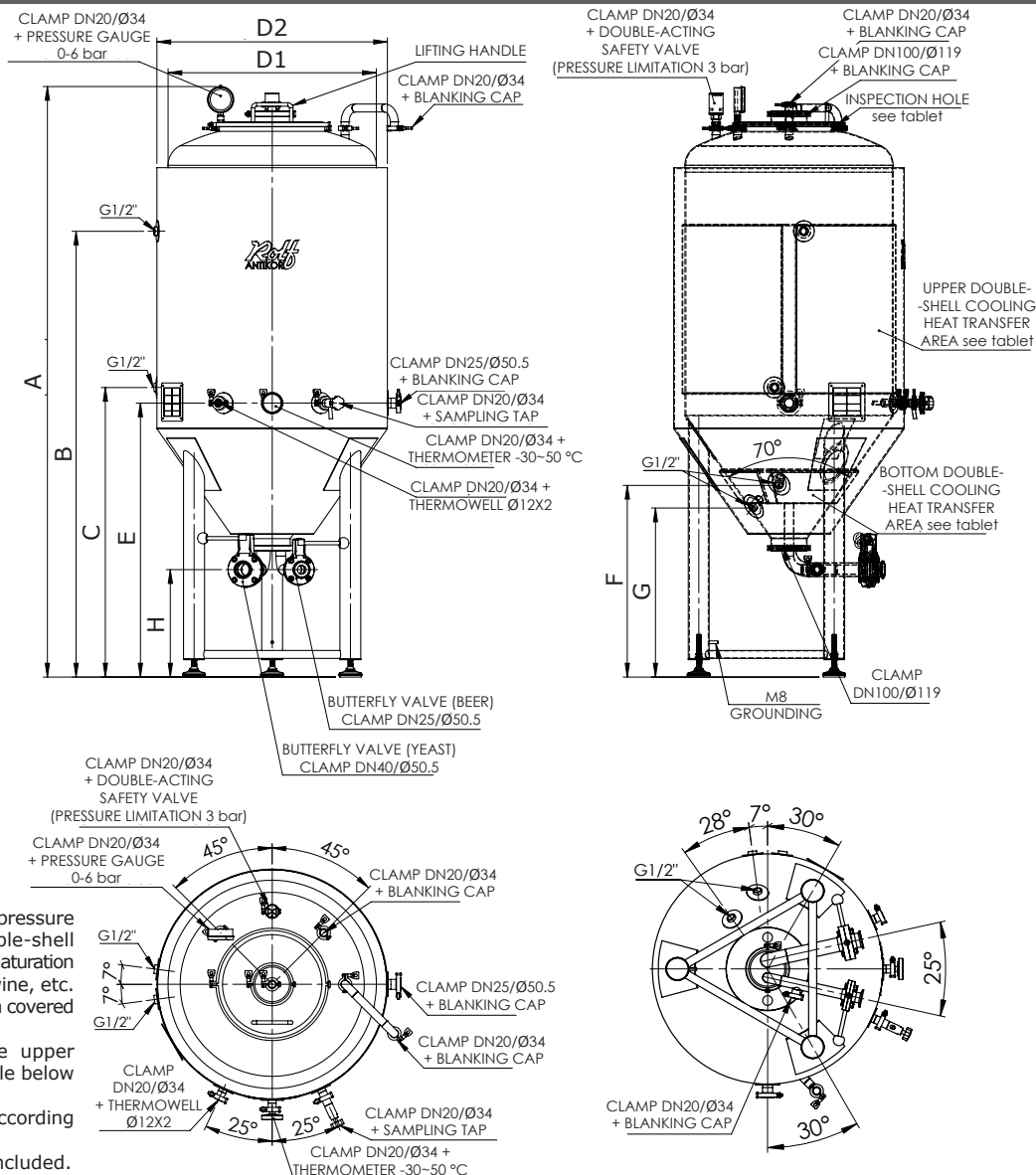


ROLF UNITANK Type CKT - With double-shell cooling and insulation



- A cylindrical-conical tank as an insulated pressure vessel with a conical bottom and double-shell coiling, intended for the main fermentation, maturation and bottling of a beer, cider, kombucha, wine, etc.
- Rigid insulation made of hardened PUR foam covered with stainless steel welded sheet.
- Design with an inspection hole in the upper dished head - for dimensions see the table below
- CK tank with 3 tubular adjustable legs.
- CK tanks are manufactured and tested according to Directive 2014/68/EU (PED).
- The passport of the pressure vessel is included.

Type	CKT 50	CKT 75	CKT 100	CKT 150	CKT 200	CKT 300
Material	AISI 304					
Max. operating pressure of shell / double-shell [bar]	3 / 0.5					
Max. operating temperature / sanitizing temperature [°C]	30 / 80					
Volume of double-shell cooling - upper/bottom [L]	1.0/0.7	1.7/0.7	2.5/0.7	3.2/1.2	5.4/1.2	6.3/1.9
Cooling area - upper/bottom [m²]	0.2/0.1	0.3/0.1	0.4/0.1	0.5/0.1	0.9/0.1	1.1/0.2
Interior finish [µm]	Ra 0.8					
Exterior finish	240 grit					
Warranty	5 years					

Type		CKT 50	CKT 75	CKT 100	CKT 150	CKT 200	CKT 300
Order number		527005	527007	527010	527015	527020	527030
Total volume	Vc [L]	63	90	116	188	257	366
Op. volume max./min.	Vp [L]	50/5	75/5	100/5	150/5	200/5	300/7
Yeast volume	Vk [L]	0.7	1.0	1.5	2.0	2.5	4.0
Diameter	ØD1 [mm]	480	480	480	600	600	700
Outer diameter	ØD2 [mm]	545	545	545	665	665	765
Total height	A [mm]	1,055	1,205	1,355	1,450	1,700	1,785
	B [mm]	830	900	1,000	1,085	1,285	1,355
	C [mm]	750	750	750	835	835	905
	E [mm]	705	705	705	790	790	860
	F [mm]	505	505	505	560	560	615
	G [mm]	475	475	475	495	495	525
	H [mm]	300	300	300	300	300	300
Inspection hole	[-]/[mm]	DN200/Ø217.5	DN200/Ø217.5	DN200/Ø217.5	DN300/Ø319	DN300/Ø319	DN300/Ø319
Net weight	m [kg]	53	65	77	106	132	151