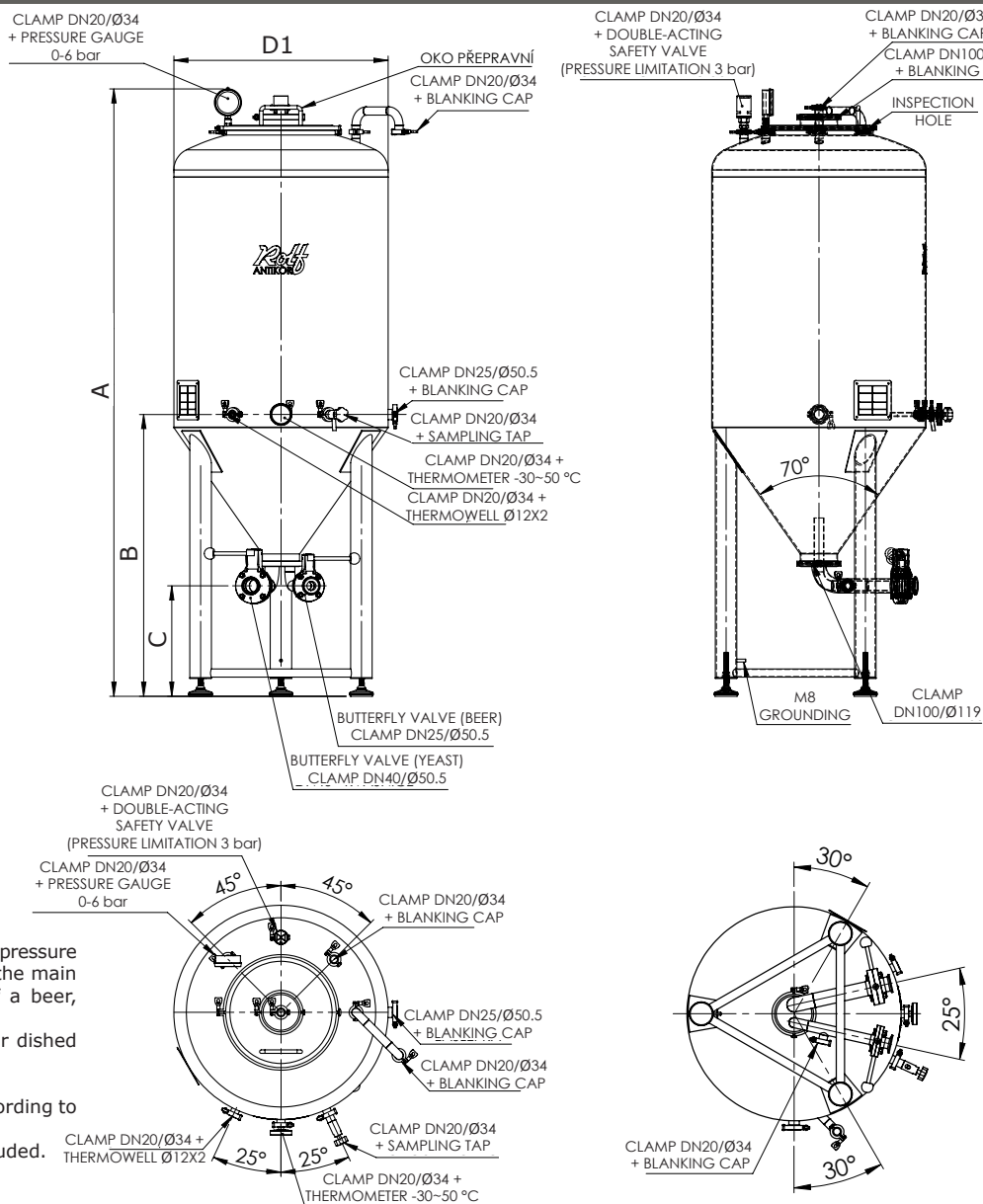


## ROLF UNITANK Type C - Air-cooled, non-insulated



- A cylindrical-conical tank as a non-insulated pressure vessel with a conical bottom intended for the main fermentation, maturation and bottling of a beer, cider, kombucha, wine, etc.
- Design with an inspection hole in the upper dished head - for dimensions see the table below
- CK tank with 3 tubular adjustable legs.
- CK tanks are manufactured and tested according to Directive 2014/68/EU (PED).
- The passport of the pressure vessel is included.

Type	C 50	C 75	C 100	C 150	C 200	C 300
<b>Material</b>	AISI 304					
<b>Max. operating pressure [bar]</b>	3					
<b>Max. operating temperature / sanitizing temperature [°C]</b>	30 / 80					
<b>Interior finish [µm]</b>	Ra 0.8					
<b>Exterior finish</b>	240 grit					
<b>Warranty</b>	5 years					

Type		C 50	C 75	C 100	C 150	C 200	C 300
<b>Order number</b>		507005	507007	507010	507015	507020	507030
<b>Operating volume</b>	<b>V [L]</b>	50	75	100	150	200	300
<b>Total volume</b>	<b>Vt [L]</b>	63	90	116	188	257	366
<b>Yeast volume</b>	<b>Vy [L]</b>	0.7	1.0	1.5	2.0	2.5	4.0
<b>Diameter</b>	<b>ØD1 [mm]</b>	480	480	480	600	600	700
<b>Total height</b>	<b>A [mm]</b>	1,055	1,205	1,355	1,450	1,700	1,785
	<b>B [mm]</b>	705	705	705	790	790	860
	<b>C [mm]</b>	300	300	300	300	300	300
<b>Inspection hole</b>	<b>[-]/[mm]</b>	DN200/Ø217.5	DN200/Ø217.5	DN200/Ø217.5	DN300/Ø319	DN300/Ø319	DN300/Ø319
<b>Net weight</b>	<b>m [kg]</b>	36	41	46	63	74	88